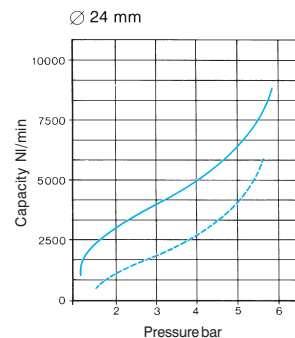
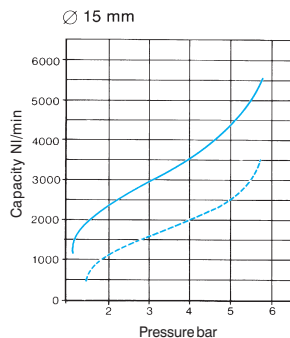
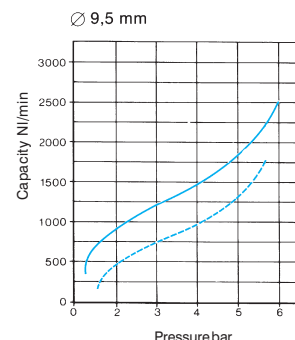
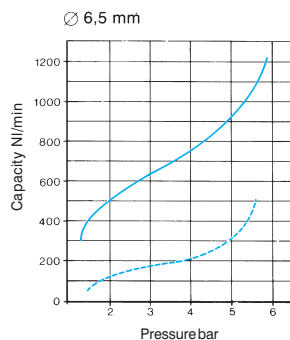
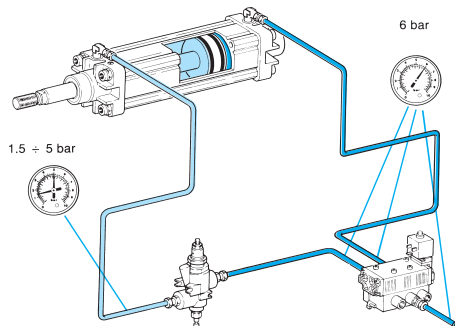
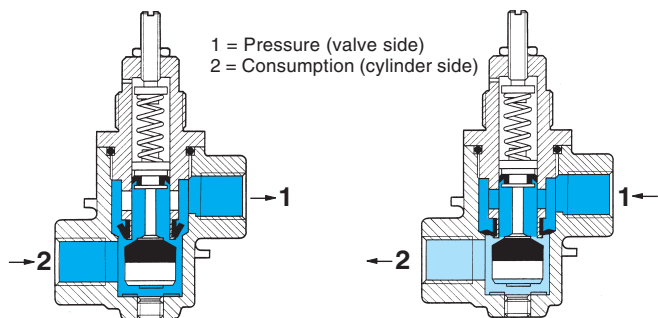




The economizer is generally used in those pneumatic equipments which require energy saving. The economizer with G 1/8 to G 1 connections functions as a pressure reducer, in one direction, with 1 to 5 bar regulation, and has free return on the opposite direction.

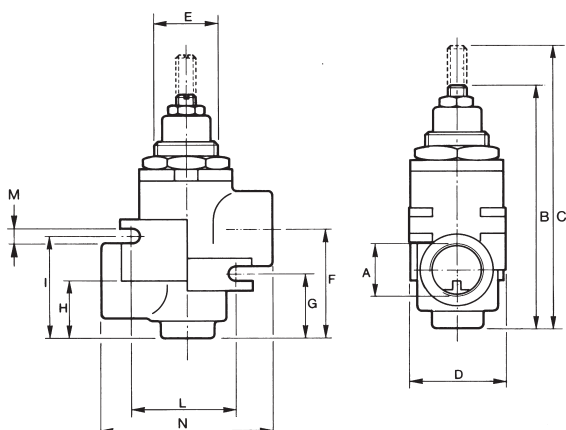
Applications: • Cylinders with different thrusts • Pneumatic clampings • Pneumatic presses • Elimination of the simple-acting cylinder and passing to a double-acting one • Low pressure (0,5 ÷ 2 bar) and differentiated pressure cylinders.



Flow from 1 to 2
Flow from 2 to 1

Type	Symbol	Version	Ports	Ø mm	Capacity NI/min	Mass kg	Part number
		Manually controlled	G 1/8	6,5	700-900	0,10	AM-5350
			G 1/4	6,5	700-900	0,10	AM-5351
			G 1/4	9,5	1200-2000	0,17	AM-5352
			G 3/8	9,5	1200-2000	0,16	AM-5353
			G 1/2	15	3500-5000	0,33	AM-5354
			G 3/4	15	3500-5000	0,34	AM-5355
			G 1	24	5200-7500	0,84	AM-5356

Overall dimensions



	A	B	C	D	E	F	G	H	I	L	M	N
G 1/8 G 1/4	82	102	23,5	M 14x1	25	14	15,5	26,5	31	4,25	46	
G 1/4 G 3/8	94	106	27,5	M 18x1	34	20	17	30,5	37	5,25	50	
G 1/2 G 3/4	105	125	40	M 22x1	44	24,5	22	41,5	42	6,25	67	
G 1	139	155	56,5	M 40x1	53	28,5	26	50	49,5	8,25	101	

G 1/8 cap included.

For the panel, a fixing ring nut must be ordered:

AM-5230 (G 1/8 - G 1/4)

AM-5231 (G 1/4 - G 3/8)

AM-5232 (G 1/2 - G 3/4)

AM-5233 (G 1)