

Suction cup F-BX10 Silicone detectable, FCM , 0206202



- The silicone material complies with FDA 21 CFR 177.2600 and EU 1935/2004.
- Long lasting high-end silicone material
- A low percentage metal additive (Fe) is mixed with the rubber material to make it detectable.
- Suitable for frozen and raw food.
- Excellent grip on food with irregular surfaces and different heights, even at fast speeds and accelerations
- Available with male threaded food grade, detectable plastic fittings or acid proof stainless steel fittings.
- Easy to clean with hygienic design. No dust/dirt pockets.
- Low vacuum level needed to collapse bellows. Reduces risk for damaging the handled food product

General

Curve radius	3.6 mm
Movement, vertical max.	6.8 mm
Application	Food contact materials (FDA & EU), detectable
Material	Silicone (SIL detectable FCM)
Suction cup model	F-BX
Suction cup shape	Multibellows
Volume	0.33 cm ³
Weight	0.6 g

Fitting

Fitting size	None
Fitting style	None
Fitting type	None
Fitting option	None

Dimension

Height	19 mm
Outer diameter	10.5 mm
Outer diameter, actuated	10.5 mm

Performance — lifting forces

		
10 -kPa	0.5 N	1.2 N
20 -kPa	0.9 N	1.3 N
40 -kPa	1.5 N	1.4 N

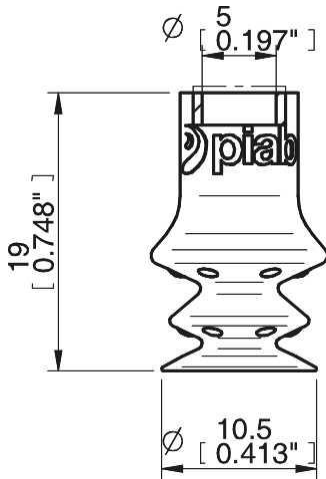
Material

	Silicone (SIL detectable FCM)
Colour	Blue
Hardness	40 °Shore A
Temperature	-40 – 200 °C

Material resistance

	Silicone (SIL detectable FCM)
Alcohol	++
Concentrated acids	-
Ethanol	N/A
Hydrolysis	+
Methanol	N/A
Oil	-
Oxidation	+++
Petrol	-
Wear resistance	++
Weather and ozone	+++

Dimensional drawings



Values specified in the data sheet are tested at:

Room temperature	(20°C [68°F] ± 3°C [5.5°F])
Standard atmosphere	(101.3 [29.9 inHg] ± 1.0 kPa [0.3 inHg])
Relative humidity	0-100%
Compressed air quality	DIN ISO 8573-1 class 4

Accessories

	Item no.
Fitting G1/8" Male, SS, F-BX10	0207133
Fitting 1/8"NPT Male, SS, F-BX10	0207134
Fitting M5 Male, SS; F-BX10	0207135
Fitting G1/8" Male, composite, F-BX10	0207136
Fitting 1/8"NPT Male, composite, F-BX10	0207137
Fitting M5 Male, composite, F-BX10	0207138