

Ball joint fitting G3/8", locking, 0110636



- Fitted to a suction cup to avoid bending stress.
- Non-leaking design to work with Vacuum Check Valve and Vacustat.
- Available in a loose-fit, a locking version or one with 5° movement.

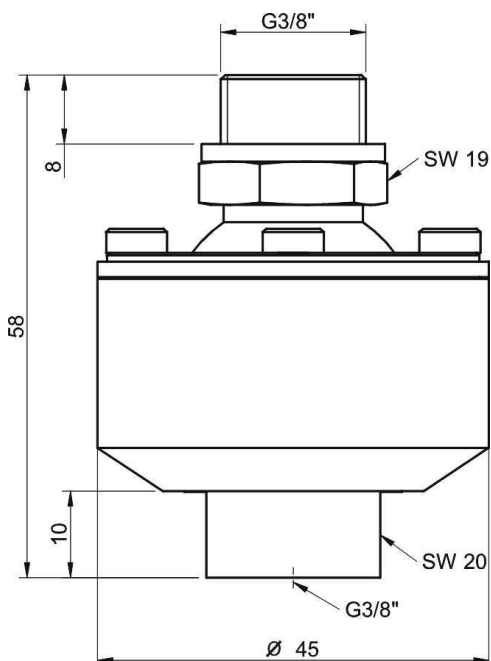
General

Item number, alternative	01.10.636
Material	Zn, CuZn, SS, Nitrile (NBR)
Temperature	-30 – 70 °C
Weight	348 – 393 g

Mechanical data

Bending torque, max.	245 Nm
Load, vertical, max.	2250 N
Movement, angular	±20 °

Dimensional drawings



Accessories

	Item no.
Adapter fitting G3/8" male x 3/8" NPT male	0121240